

4

3

2

1

D

D

C

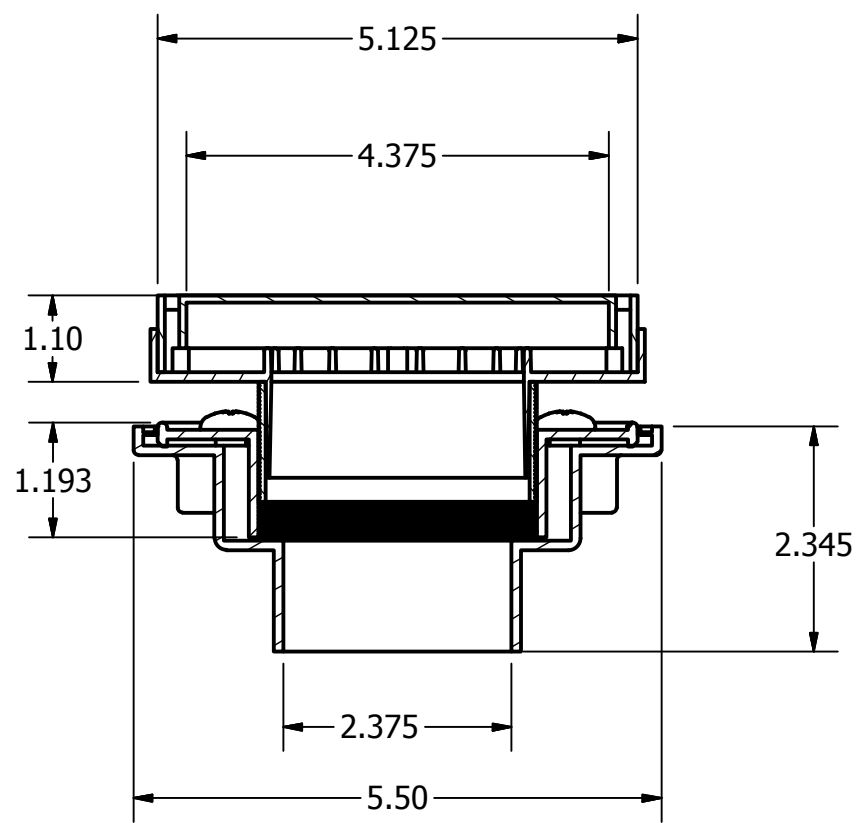
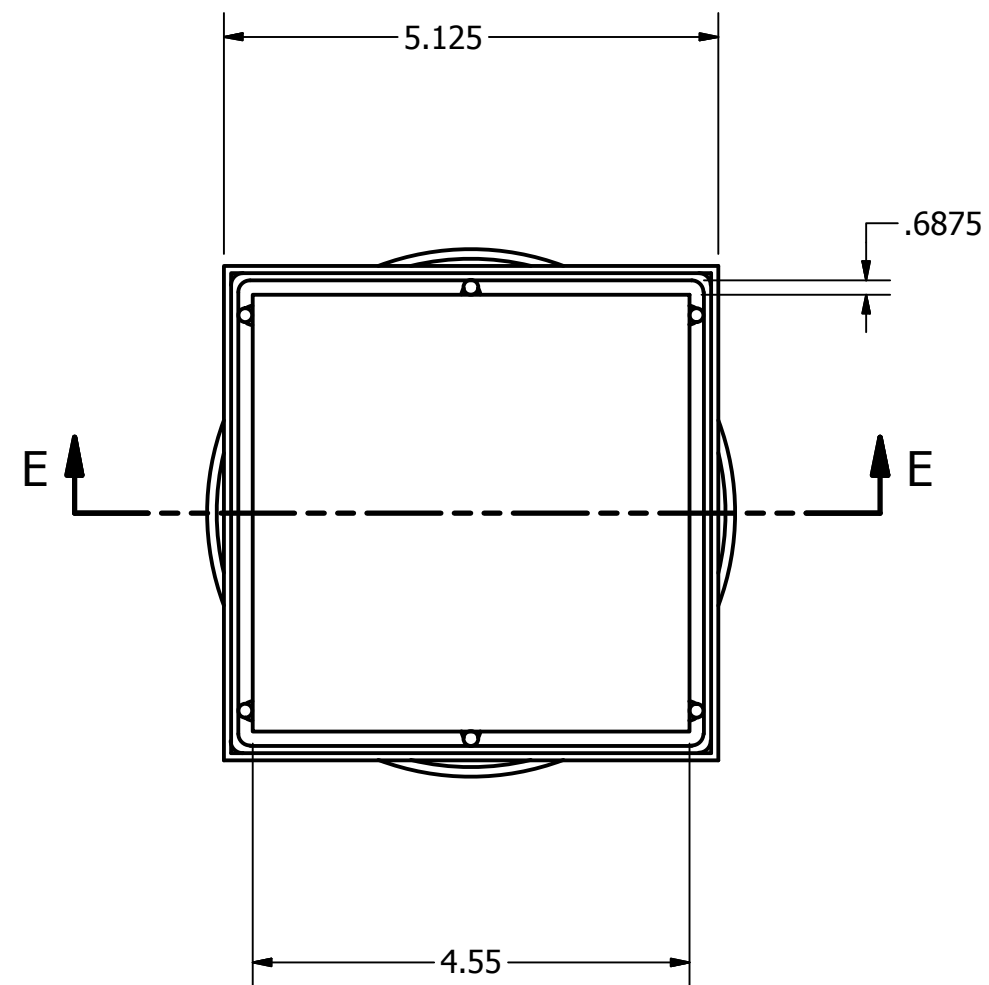
C

B

B

A

A



SECTION E-E  
SCALE 1 / 2

