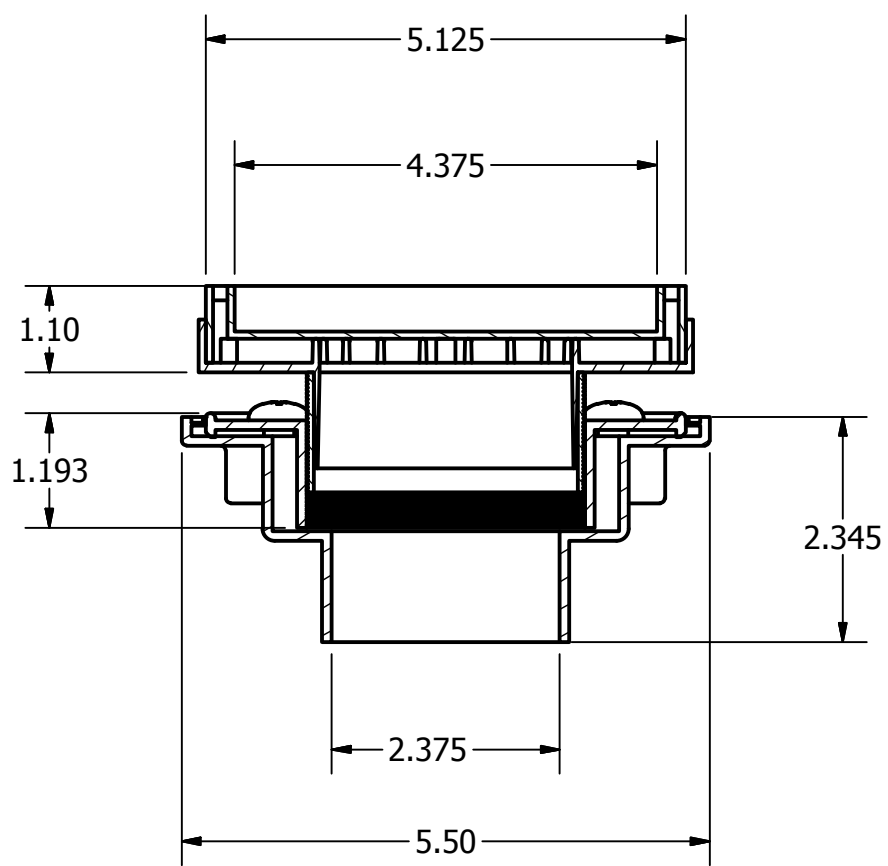
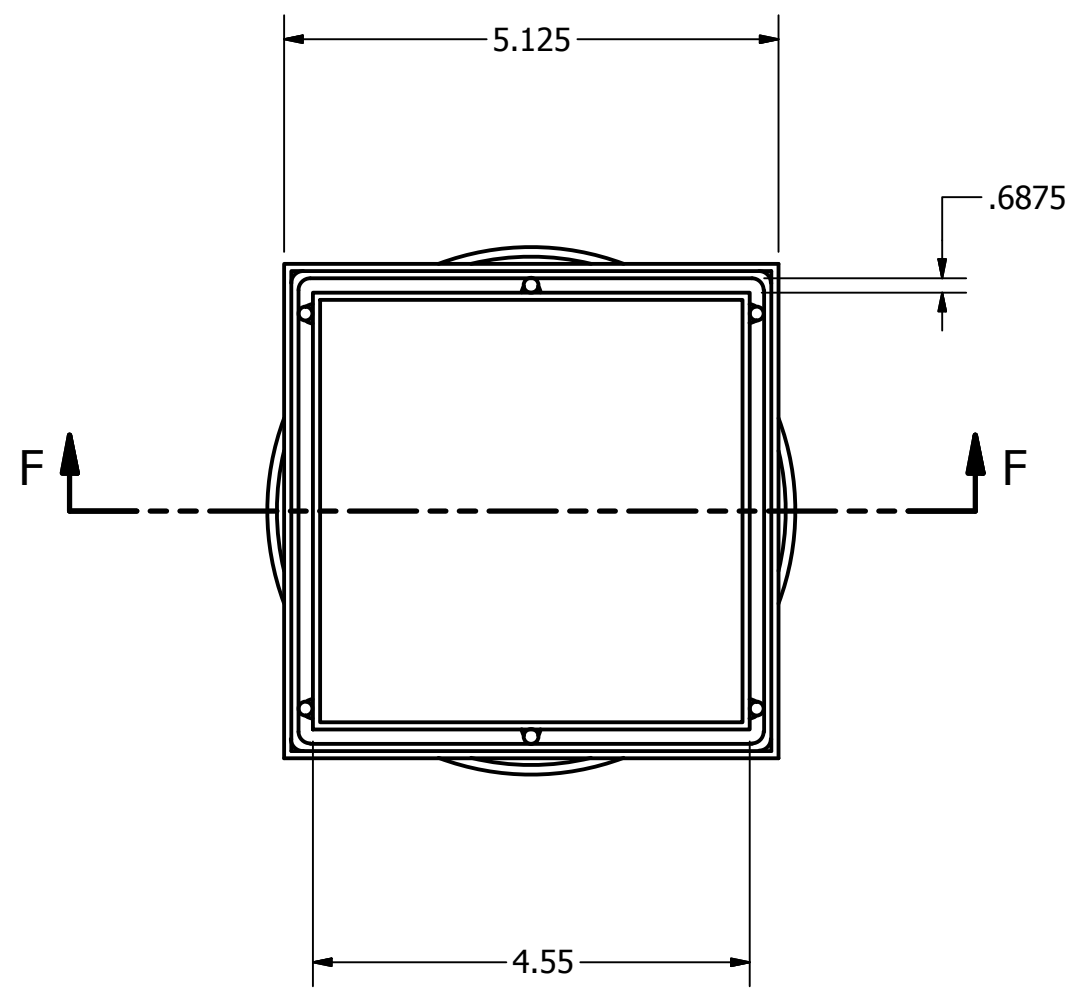


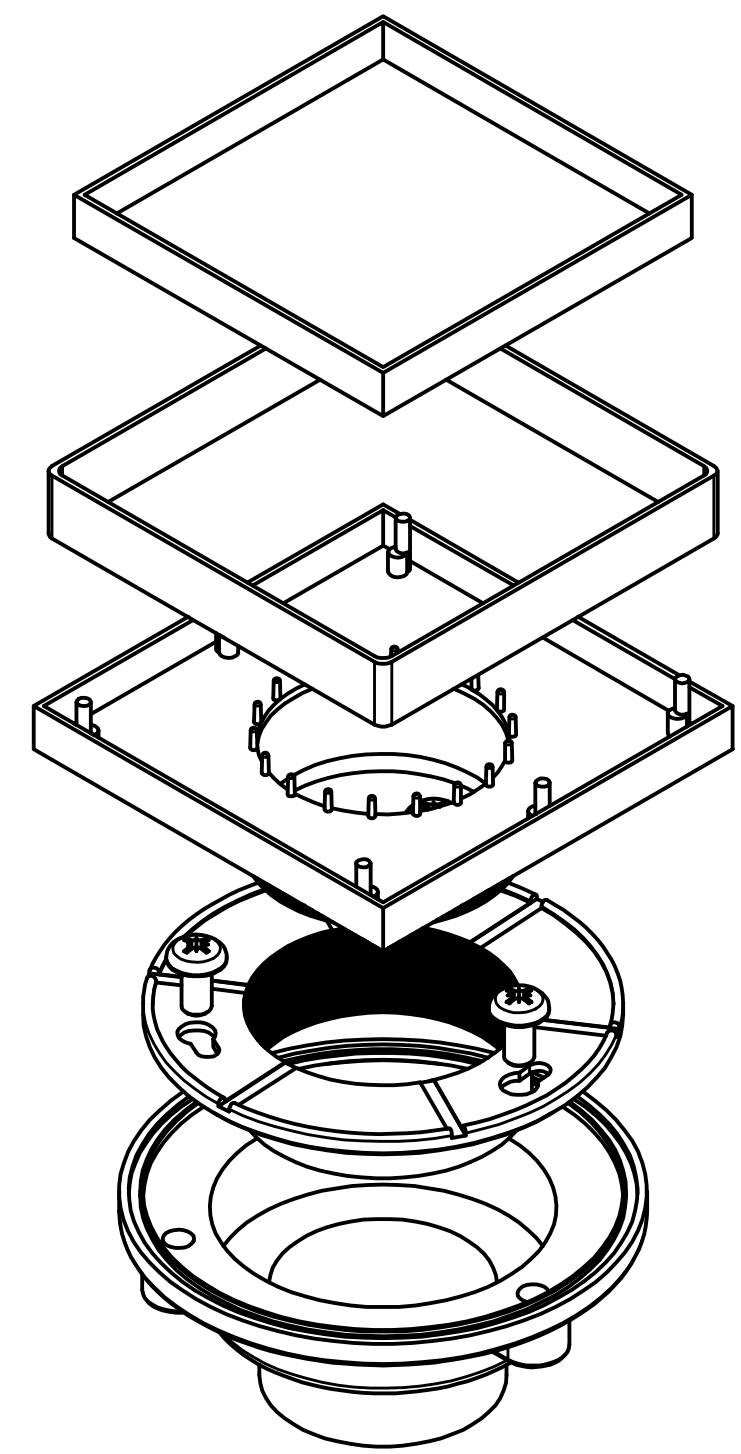
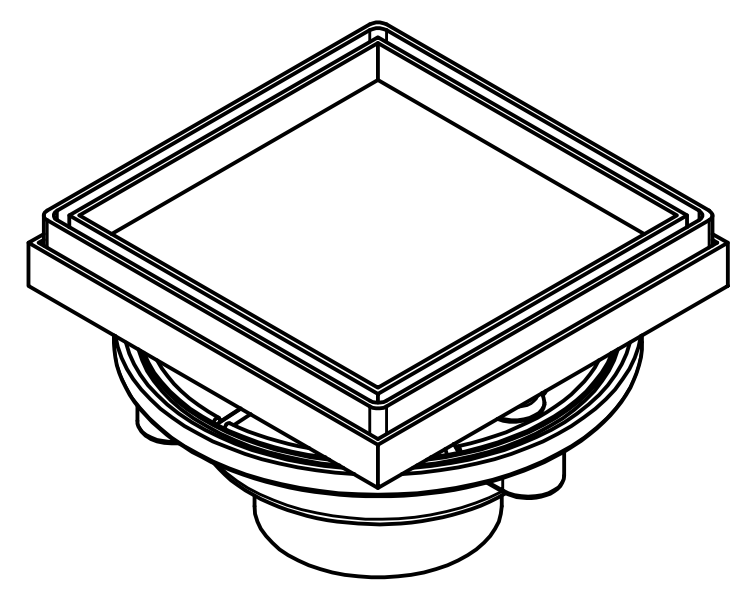
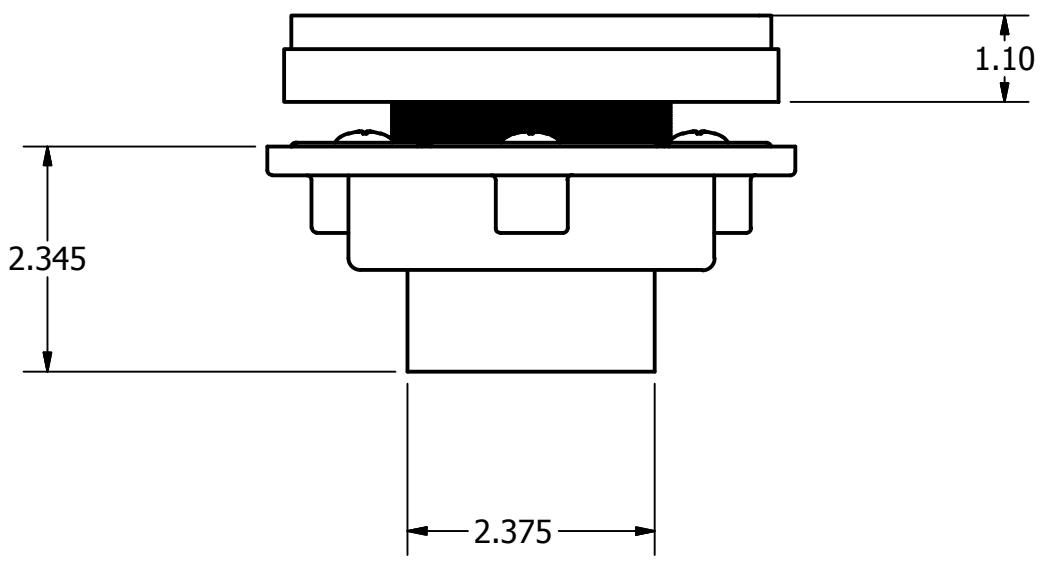
4 3 2 1

D
C
B
A

D
C
B
A



SECTION F-F
SCALE 1 / 2



4 3 2 1